



Overseas model shown.
Illustration may contain optional features to the model.

ENGINE

Power: 460hp (338kW) @ 1900rpm
Torque: 2150Nm @ 925rpm

TRANSMISSION

12 Speed automated manual

MASS RATINGS

GVM: 32500kg
GCM: 55000kg

WHEELBASE

5300mm | 5600mm | 5820mm

KEY FEATURES

Compliant to Euro VI STEP E Emission standard
GPS Predictive Drive
Advanced Emergency Braking System
Adaptive Cruise Control
Lane Departure Warning
Full LED Headlights with cornering fog lights
7" Infotainment system with Apple CarPlay®
Climate control HVAC system

WARRANTY

Standard Warranty	3 Years/750,000km (whichever occurs first)	
Extended Warranty	Optional – Up to 5 Years/1,000,000km (whichever occurs first)	
	Driveline Only	Driveline Plus*
Driveline	•	
Extra Driveline	•	•

MAINTENANCE & REPAIR CONTRACTS

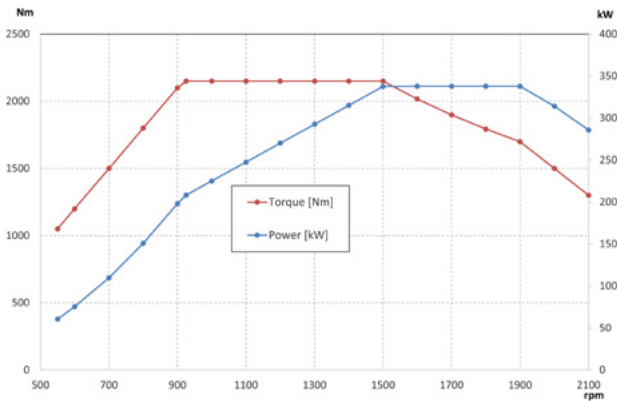
	Maintenance	Friction	Repair
Service Bond	•		
Friction	•	•	
Easy Road (complimentary for first year)	•	•	•

Contracts available up to 5 years/1,000,000km (whichever occurs first)

*Please refer to extended warranty standard inclusions list at your IVECO dealer.

ENGINE

Engine Model	Cursor 11
Total Displacement	11,118cm ³
Maximum Power	460hp (338kW) @ 1500rpm
Maximum Torque	2150Nm @ 925rpm



Injection type	Direct
Fuel Injection system	Common rail
Bore & Stroke	128 & 144mm
After-Treatment System	Hi-e SCR after-treatment system with DOC: Diesel Oxydation Catalyst DPF: Diesel Particulate Filter SCR: Selective Catalytic Reduction CUC: Clean Up Catalyst
Emission Compliance	Euro VI STEP E

TRANSMISSION

Description	Automated Manual Transmission (AMT)	
Make & Model	Hi-Tronix 12 TX2420 TD	
Shifter type	Dash mounted electronic shifter with column mounted sequential shifter	
Gear ratios: Hi-Tronix TX2420	1st: 16.69	7th: 3.66
	2nd: 12.92	8th: 2.83
	3rd: 9.93	9th: 2.17
	4th: 7.67	10th: 1.68
	5th: 5.90	11th: 1.29
	6th: 4.57	12th: 1.00
	Rev 1: 15.54	Rev 3: 3.4
Rev 2: 12.03	Rev 4: 2.64	

POWER TAKE-OFF

Rear engine PTO Provision	Equipped
Engine PTO (Optional)	Flange (DIN 10 - 6Hole)
Sandwich PTO (Optional)	Flange (120 ISO 8667)
Gearbox Power Take-off Opening	Equipped
PTO Control	Equipped with activation switch and electrics

REAR AXLE RATIO

Rear Axle Ratio	Standard: 3.09 Optional: 3.4
-----------------	---------------------------------

PERFORMANCE

Engine RPM @ 100km/h	1617
Road speed limiter	100km/h, Conforms to ADR65
Gradeability ¹ @ Rated GVM	62%
Gradeability ¹ @ Rated GCM	36%

¹This is theoretically calculated. Actual performance may vary under different conditions.

AXLE & SUSPENSION

Front Axle Model & Type	2x 5890/D ON - Axle drop: 142mm
Front suspension	Load sharing air suspension with dampers
FA & suspension capacity	12000kg
FA group mass rating	12000kg (with tyres)
Front Stabiliser bar	Diameter: ø45mm/ Roll rate: 3300Nm/Deg
Rear Axle Model & Type	MT23-150/D - Tandem Single reduction
Rear suspension	8 Bellow air suspension with ECAS Stroke: Raise/lower - 125mm/-65mm
Rear dampers	Equipped
RA & suspension capacity	23000kg
RA group mass rating	21000kg (with tyres)
Rear Stabiliser bar	Diameter: ø60mm/Roll rate: 8247Nm/Deg
Axle load indicator	Equipped (with pneumatic suspension only)
Differential Cross Lock	Equipped
Road friendly suspension Certification	RFCN: RF2103

BRAKES & AUXILIARY BRAKES

Type/Control	Full air/Electronic Braking System (EBS) - ABS (Anti-lock Braking System) - ASR (Anti-Skid Regulator) - DPI (Direct Brake Integration) - BAS (Brake Assistant System) - BVR (Brake Lining Wear Adjustment) - ARB (Hill Holder) - ESC (Enhanced Stability Control)
Front axle	Ventilated Disc: Diameter 432mm/ Braking surface : 784cm ²
Rear axle	Ventilated Disc: Diameter 432mm/ Braking surface : 784cm ²
Engine brake with 3 level retardation	Equipped
Transmission Intarder	Optional

CHASSIS

Dimensions	304.4x80x7.7mm
Chassis width (at rear)	771.4mm
Material	Steel
Tensile strength	610N/mm ²
Exhaust Pipe	Chassis mounted ATS & Horizontal pipe
Air Tanks	Aluminium
Front tow hook	Equipped
Towing cross member (D=200kN)	Equipped

WHEELS & TYRES

Rim Type	10-Stud disc wheel (ISO type) PCD 335mm Finish: Brushed Alloy
Rim size	22.5" x 8.25"
Tyre size	Front 295/80R22.5 Rear 295/80R22.5

FUEL & ADBLUE® TANK

Fuel Tank with lockable cap	480L
AdBlue® Tank	50L

FUEL SAVING FEATURES

GPS-Predictive Drive	Equipped
Eco-Roll	Equipped
EcoSwitch	Equipped

SAFETY FEATURES

Electronic Stability Programme (ESP)	Equipped
Anti-lock Brake System (ABS)	Equipped
Anti-slip Regulator (ASR)	Equipped
Advanced Emergency Braking System (AEBS)	Equipped
Adaptive Cruise Control (ACC)	Equipped
Lane Departure Warning System (LDWS)	Equipped
Reverse Buzzer	Equipped
Daytime Running Lamp (DRL)	Equipped
ECE-R29 Cab Strength Certification	Equipped
ECE-R93 Front Underrun Protection (FUP)	Equipped

ELECTRICAL & ELECTRONICS

Voltage	24V System
Batteries	2x 12 Volt/220Ah Batteries
Electrical battery cutout	Equipped
Battery position	Between 2nd & 3rd axles - RHS
Alternator	28 Volt/90A
Fleet Management System data interface (FMS)	Equipped
Chassis mounted jump start plug	Equipped
CAN OPEN Bodybuilder interface	Equipped
LED Headlamp - Low beam	Equipped
LED Headlamp - High beam	Equipped
Daytime Running Lamp (DRL)	Equipped
Fog light with cornering & bending	Equipped
LED Rear lights	Equipped
Provision for roof rotating lights	Equipped with harness & switch in cab
Chassis mounted pneumatic horn	Equipped
7-pin trailer connection	Equipped

STEERING

Telescopic & Tilt adjustable steering column	Equipped
Steering wheel	Soft touch steering wheel with following: - Controls for the information screen - Controls for the phone - Activation for voice recognition - Controls for ACC (Adaptive cruise control) - Controls for radio/media volume
Steering angle	1st FA: Inside: 50° Outside: 35° 2nd FA: Inside: 30.5° Outside: 24°

SERVICE INTERVALS

Engine oil change interval ²	75,000km/12 Months
---	--------------------

²Based on normal operating conditions and may be reduced when operating under severe conditions.

CAB EXTERIOR

Cab type	Low roof sleeper cab (AT) Optional: High roof sleeper cab (AT) Optional: Low roof Day cab (AD)
Cab tilt mechanism	Servo assisted cab tilt mechanism
Cab mounting	Mechanical suspension front & rear
Windscreen Wipers	Automatic - Rain sensing 2 Speed with Integrated Washer Nozzles
Front Bumper	Multi-piece hybrid (Plastic + metal) front bumper with foldable step
Rearview mirrors	2 x Motorised, heated flat main mirrors & convex spotters

	1 x LHS kerb view & front view mirrors
External Sunvisor	Equipped
Roof Spoiler	Optional
Colour	White IC 194

CAB INTERIOR

Seating capacity	Two
Driver Seat	Fabric, Air suspended, Heated, 3-Way adjustable seat
Passenger Seat	Fabric, Air suspended, Heated, 3-Way adjustable seat
Seat Belt	3-point Lap/Sash type
Sun visor & overhead consoles	Equipped on both driver & Passenger side
Sleeper berth with net protection - ADR 42 Compliant	Equipped
Multimedia unit	7" LCD HD touch screen display DAB + AM/FM radio USB input, Bluetooth® connectivity Smart phone mirroring Apple CarPlay® Voice recognition In built Tom Tom Satellite navigation system Reverse/Side camera compatible USB charging ports (TYPE A) 12 Volt power socket
HVAC System	Equipped - with climate control
Immobiliser	Equipped - with 3 x remote central lock keys
Power Windows	Equipped
Electric roof hatch	Optional - only with high roof sleeper cab (AT)
Cup holders	Equipped
Interior lighting	LED Internal Lights
Rollup sun blinds for doors	Equipped
25L Refrigerator	Equipped under the bunk
Bunk Curtains	Equipped

GENUINE ACCESSORY OPTIONS

- Phone Cradle	- Rubber Floor Mats
- Cameras	- Seat Covers
- Foot Well Liners	- 24 to 12 Volt Voltage Reducer

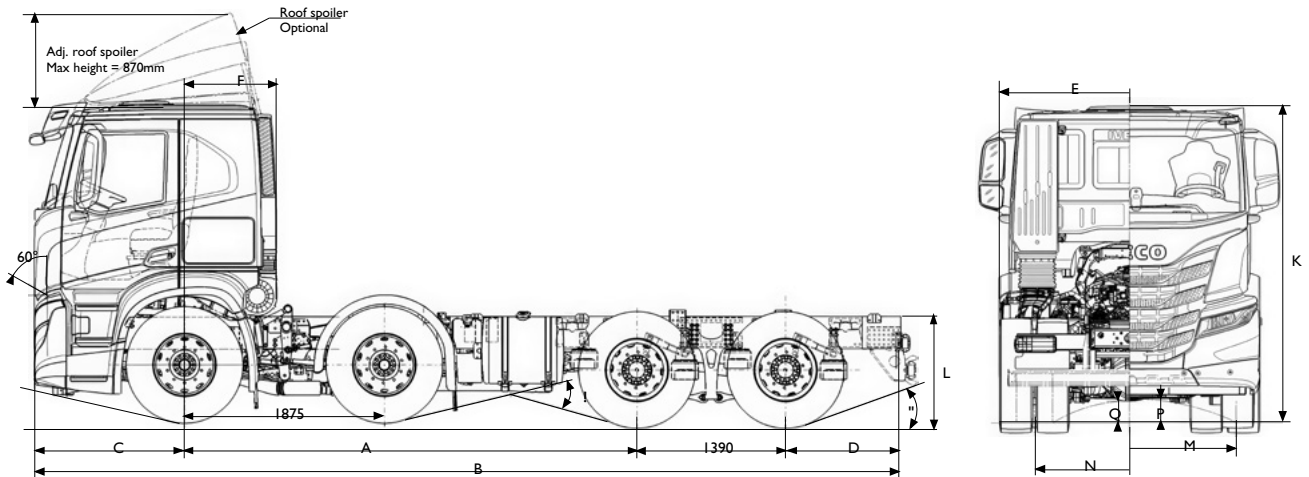
Please check with your dealer for availability and price.

IVECO TELEMATICS

Telematics Hardware	Equipped (GSM & GPS & Antenna & 4G SIM) with provision for mobile cradle. Upon subscription. Features include: - MYIVECO Smart report
Smart connectivity pack (Included for 5 years)	- MYIVECO Web portal - MYIVECO Vehicle monitoring & remote assistance - MYIVECO Easy Way app
Premium pack	Optional

MODEL CODE: AT270S46Z/FP

Application: Rigid



DIMENSIONS & WEIGHTS

Wheelbase	5300mm	5600mm	5820mm
Overall length	10682mm	10982mm	11202mm
Max width over fenders	2500mm		
Front axle to back of cab - including filter	940mm		
Frame height at end of frame, unladen	1025mm	1026mm	1027mm
Front overhang	1410mm		
Rear overhang	2433mm		
Minimum ground clearance (front)	244mm		
Minimum ground clearance (rear)	250mm		
Overall height to top of cab, unladen	3094mm		
Turning diameter kerb to kerb	19210mm	20838mm	21440mm
Turning diameter wall to wall	20810mm	22438mm	23040mm
Front track	2044mm		
Rear track	1820mm		
Approach angle (°)	11°		
Departure angle (°)	18°	18°	18°
Ramp angle (°)	22°	21°	21°
Total vehicle kerb weight*	10061kg	10098kg	10112kg
Kerbweight on Front Axle*	6851kg	6845kg	6835kg
Kerbweight on Rear Axle*	3210kg	3253kg	3277kg
Gross Vehicle Mass (Plated)	32500kg		
Gross Combination Mass (Plated)	55000kg		

*Indicative chassis tare mass with Standard options, without fuel, Adblue® and driver.

±3% tolerance apply. Approximate mass of the optionals:

1. Transmission Intarder: 91kg
2. AD Low roof day cab: -97kg
3. AT Medium roof sleeper cab: 40kg