



6x4 Prime Mover AT/AD



Overseas model shown.  
Illustration may contain optional features to the model.

**ENGINE**

Power: 460hp (338kW) @ 1900rpm  
Torque: 2150Nm @ 925rpm

**TRANSMISSION**

I2 Speed automated manual

**MASS RATINGS**

GVM: 27600kg  
GCM: 60000kg

**WHEELBASE**

3300mm

**KEY FEATURES**

- Compliant to Euro VI STEP E Emission standard
- GPS Predictive Drive
- Advanced Emergency Braking System
- Adaptive Cruise Control
- Lane Departure Warning
- Full LED Headlights with cornering fog lights
- 7" Infotainment system with Apple CarPlay®
- Climate control HVAC system

**WARRANTY**

Standard Warranty	3 Years/750,000km (whichever occurs first)	
Extended Warranty	Optional – Up to 5 Years/1,000,000km (whichever occurs first)	
	Driveline Only	Driveline Plus*
Driveline	•	
Extra Driveline	•	•

**MAINTENANCE & REPAIR CONTRACTS**

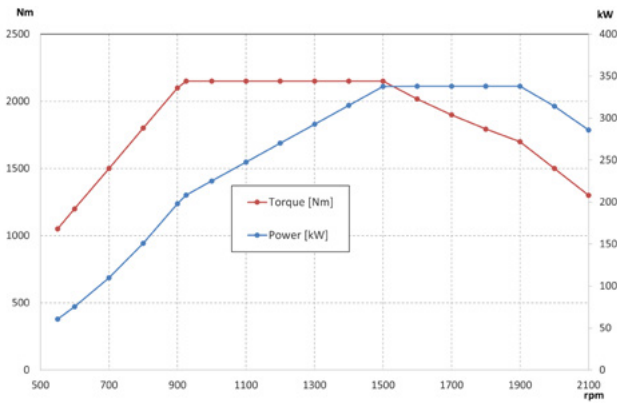
	Maintenance	Friction	Repair
Service Bond	•		
Friction	•	•	
Easy Road (complimentary for first year)	•	•	•

\*Please refer to extended warranty standard inclusions list at your IVECO dealer.



## ENGINE

Engine Model	Cursor II
Total Displacement	11,118cm <sup>3</sup>
Maximum Power	460hp (338kW) @ 1500rpm
Maximum Torque	2150Nm @ 925rpm



Injection type	Direct
Fuel Injection system	Common rail
Bore & Stroke	128 & 144mm
After-Treatment System	Hi-e SCR after-treatment system with DOC: Diesel Oxydation Catalyst DPF: Diesel Particulate Filter SCR: Selective Catalytic Reduction CUC: Clean Up Catalyst
Emission Compliance	Euro VI STEP E

## TRANSMISSION

Description	Automated Manual Transmission (AMT)	
Make & Model	Hi-Tronix 12 TX2420 TD	
Shifter type	Dash mounted electronic shifter with column mounted sequential shifter	
Gear ratios: Hi-Tronix TX2420	1st: 16.69	7th: 3.66
	2nd: 12.92	8th: 2.83
	3rd: 9.93	9th: 2.17
	4th: 7.67	10th: 1.68
	5th: 5.90	11th: 1.29
	6th: 4.57	12th: 1.00
	Rev 1: 15.54	Rev 3: 3.4
Rev 2: 12.03	Rev 4: 2.64	

## POWER TAKE-OFF

Rear engine PTO	Without Rear Engine PTO
Gearbox Power Take-off Opening	Equipped
PTO Control	Equipped with activation switch and electric

## REAR AXLE RATIO

Rear Axle Ratio	Standard: 3.09 Optional: 3.4
-----------------	---------------------------------

## PERFORMANCE

Engine RPM @ 100km/h	1617
Road speed limiter	100km/h, Conforms to ADR65
Gradeability <sup>1</sup> @ Rated GVM	73%
Gradeability <sup>1</sup> @ Rated GCM	34%

<sup>1</sup>This is theoretically calculated. Actual performance may vary under different conditions.

## AXLE & SUSPENSION

Front Axle Model & Type	IVECO 5890/D ON - Axle drop: 142mm
Front suspension	Parabolic suspension with dampers
FA & suspension capacity	8000kg
FA group mass rating	7100kg (with tyres)
Front Stabiliser bar	Diameter: ø48mm/ Roll rate: 5018Nm/Deg
Rear Axle Model & Type	MT23-150/D - Tandem Single reduction
Rear suspension	8 Bellow air suspension with ECAS Stroke: Raise/lower - 125mm/-65mm
Rear dampers	Equipped
RA & suspension capacity	23000kg
RA group mass rating	21000kg (with tyres)
Rear Stabiliser bar	Diameter: ø60mm/Roll rate: 8247Nm/Deg
Axle load indicator	Equipped (with pneumatic suspension only)
Differential Cross Lock	Equipped
Road friendly suspension Certification	RFCN: RF2103

## BRAKES & AUXILIARY BRAKES

Type/Control	Full air/Electronic Braking System (EBS)
	- ABS (Anti-lock Braking System)
	- ASR (Anti-Skid Regulator)
	- DPI (Direct Brake Integration)
	- BAS (Brake Assistant System)
	- BVR (Brake Lining Wear Adjustment)
	- ARB (Hill Holder)
Front axle	Ventilated Disc: Diameter 432mm/ Braking surface : 784cm <sup>2</sup>
	Rear axle
Engine brake with 3 level retardation	Equipped
Transmission Intarder	Optional

## CHASSIS

Dimensions	304.4x80x7.7mm
Chassis width (at rear)	771.4mm
Material	Steel
Tensile strength	610N/mm <sup>2</sup>
Exhaust Pipe	Chassis mounted ATS & Horizontal pipe
Air Tanks	Aluminium
Front tow hook	Equipped
Towing cross member	N/A

## WHEELS & TYRES

Rim Type	10-Stud disc wheel (ISO type) PCD 335mm Finish: Brushed Alloy
Rim size	22.5" x 8.25"
Tyre size	Front 295/80R22.5 Rear 295/80R22.5

## FUEL & ADBLUE® TANK

Fuel Tank with lockable cap	540L
AdBlue® Tank	80L

## FUEL SAVING FEATURES

GPS-Predictive Drive	Equipped
Eco-Roll	Equipped
EcoSwitch	Equipped

## SAFETY FEATURES

Electronic Stability Programme (ESP)	Equipped
Anti-lock Brake System (ABS)	Equipped
Anti-slip Regulator (ASR)	Equipped
Advanced Emergency Braking System (AEBS)	Equipped
Adaptive Cruise Control (ACC)	Equipped
Lane Departure Warning System (LDWS)	Equipped
Reverse Buzzer	Equipped
Daytime Running Lamp (DRL)	Equipped
ECE-R29 Cab Strength Certification	Equipped
ECE-R93 Front Underrun Protection (FUP)	Equipped

## ELECTRICAL & ELECTRONICS

Voltage	24V System
Batteries	2x 12 Volt/220Ah Batteries
Electrical battery cutout	Equipped
Battery position	Horizontal on side frame - LHS
Alternator	28 Volt/90A
Fleet Management System data interface (FMS)	Equipped
Chassis mounted jump start plug	Equipped
CAN OPEN Bodybuilder interface	Equipped
LED Headlamp - Low beam	Equipped
LED Headlamp - High beam	Equipped
Daytime Running Lamp (DRL)	Equipped
Fog light with cornering & bending	Equipped
LED Rear lights	Equipped
Provision for roof rotating lights	Equipped with harness & switch in cab
Chassis mounted pneumatic horn	Equipped
7-pin trailer connection	Equipped

## STEERING

Telescopic & Tilt adjustable steering column	Equipped
Steering wheel	Soft touch steering wheel with following: - Controls for the information screen - Controls for the phone - Activation for voice recognition - Controls for ACC (Adaptive cruise control) - Controls for radio/media volume
Steering angle	Inside: 52° Outside: 36°

## SERVICE INTERVALS

Engine oil change interval <sup>2</sup>	75,000km/12 Months
---	--------------------

<sup>2</sup>Based on normal operating conditions and may be reduced when operating under severe conditions.

## CAB EXTERIOR

Cab type	Low roof sleeper cab (AT) Optional: High roof sleeper cab (AT) Optional: Low roof Day cab (AD)
Cab tilt mechanism	Servo assisted cab tilt mechanism
Cab mounting	Air suspended front and rear
Windscreen Wipers	Automatic - Rain sensing 2 Speed with Integrated Washer Nozzles
Front Bumper	Multi-piece hybrid (Plastic + metal) front bumper with foldable step
Rearview mirrors	2 x Motorised, heated flat main mirrors & convex spotters 1 x LHS kerb view & front view mirrors

External Sunvisor	Equipped
Roof Spoiler	Equipped
Full Aerodynamic kit - with high roof only	Optional
Colour	White IC 194

## CAB INTERIOR

Seating capacity	Two
Driver Seat	Fabric, Air suspended, Heated, 3-Way adjustable seat
Passenger Seat	Fabric, Air suspended, Heated, 3-Way adjustable seat
Seat Belt	3-point Lap/Sash type
Sun visor & overhead consoles	Equipped on both driver & Passenger side
Sleeper berth with net protection - ADR 42 Compliant	Equipped
Multimedia unit	7" LCD HD touch screen display DAB + AM/FM radio USB input, Bluetooth® connectivity Smart phone mirroring Apple CarPlay® Voice recognition In built Tom Tom Satellite navigation system Reverse/Side camera compatible USB charging ports (TYPE A) 12 Volt power socket
HVAC System	Equipped - with climate control
Immobiliser	Equipped - with 3 x remote central lock keys
Power Windows	Equipped
Electric roof hatch	Optional - only with high roof sleeper cab (AT)
Cup holders	Equipped
Interior lighting	LED Internal Lights
Rollup sun blinds for doors	Equipped
25L Refrigerator	Equipped under the bunk
Bunk Curtains	Equipped

## GENUINE ACCESSORY OPTIONS

- Phone Cradle	- Rubber Floor Mats
- Cameras	- Seat Covers
- Foot Well Liners	- 24 to 12 Volt Voltage Reducer

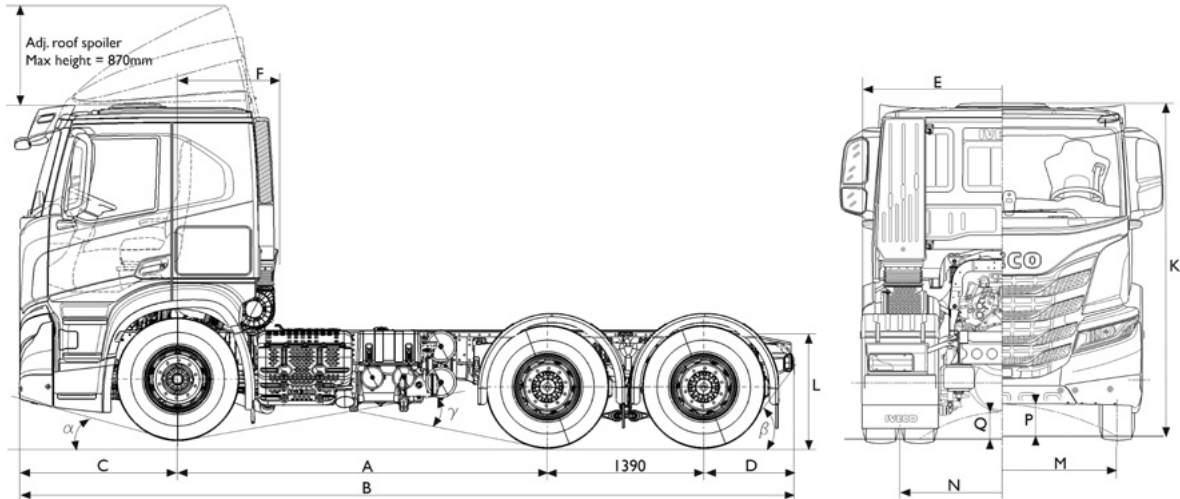
Please check with your dealer for availability and price.

## IVECO TELEMATICS

Telematics Hardware	Equipped (GSM & GPS & Antenna & 4G SIM) with provision for mobile cradle.
Smart connectivity pack (Included for 5 years)	Upon subscription. Features include: - MYIVECO Smart report - MYIVECO Web portal & mobile app - MYIVECO Vehicle monitoring & remote assistance - MYIVECO Easy Way app
Premium pack	Optional

## MODEL CODE: AT600S46TZ/P ON

Application: Prime Mover



### DIMENSIONS & WEIGHTS

Wheelbase (A)	3300mm
Overall length (B)	6884mm
Max width over fenders (E)	2500mm
Front axle to back of cab - including filter (F)	940mm
Frame height at end of frame, unladen (L)	1048mm
Front overhang (C)	1410mm
Rear overhang (D)	778mm
Minimum ground clearance (front) (P)	244mm
Minimum ground clearance (rear) (Q)	250mm
Overall height to top of cab, unladen (K)	3023mm
Turning diameter kerb to kerb	15900mm
Turning diameter wall to wall	17500mm
Front track (M)	2044mm
Rear track (N)	1820mm
Approach angle $\alpha$ (°)	14°
Departure angle $\beta$ (°)	40°
Ramp angle $\gamma$ (°)	20°
Total vehicle kerb weight*	8266kg
Kerbweight on Front Axle*	4959kg
Kerbweight on Rear Axle*	3307kg
Gross Vehicle Mass (Plated)	27600kg
Gross Combination Mass (Plated)	60000kg

\*Indicative chassis tare mass with Standard options, without fuel, Adblue® and driver.  $\pm 3\%$  tolerance apply. Approximate mass of the optional:

1. Transmission Intarder: 91kg
2. AD Low roof day cab: -97kg
3. AT Medium roof sleeper cab: 40kg