

DAILY 4X4

Single & Crew Cab



4 ALL TRACKS ALL CONDITIONS

ENGINE

Power: 132kW @3500rpm
Torque: 430 Nm @1500rpm

TRANSMISSION

6 Speed Manual
ZF 8 speed Hi-Matic automatic (Optional)

MASS RATINGS

GVM: 7000kg
GCM: 10500kg

WHEELBASE

3480mm
3780mm
4175mm

KEY FEATURES

- Powerful yet efficient advanced 3.0 litre turbo diesel engine
- Low emission levels – engine meets stringent Euro 6 standards
- Optional market-leading 8-speed full automatic transmission
- Standard 6-speed manual transmission
- Ventilated disc brakes with ABS and ESP 9
- Ergonomically-designed cabin based on the award-winning 4x2 Daily range
- New C-Section Chassis
- Auto HVAC climate control system

For available options & details see the next pages.

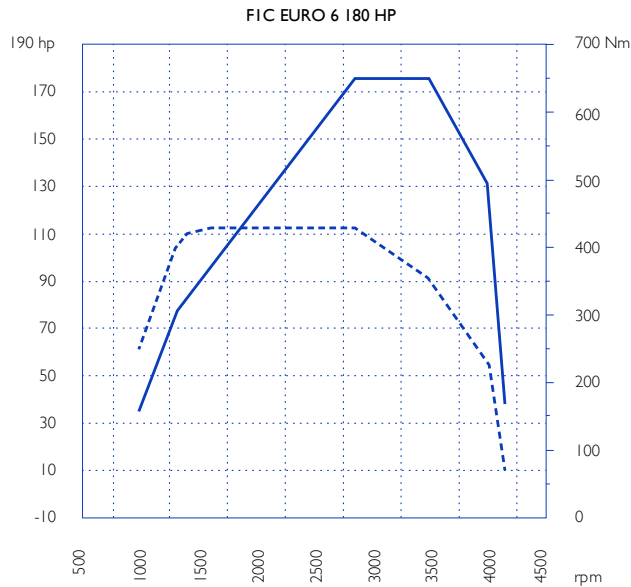
WARRANTY

- Standard Warranty
- 3 years /100,000 km (whichever occurs first)

IVECO
Drive the road of change

ENGINE

Engine Model	FIC Euro 6 Step-E, 3.0L with variable geometry turbine (VGT), EGR & SCR
Total Displacement	2998cm ³
Maximum Power	180HP @3500rpm
Maximum Torque	430 Nm @1500rpm



Number of cylinders	4 (16 valves) in line
Fuel Injection system	Electronically controlled direct injection, common rail & high pressure pump
Bore x Stroke	95.8 mm x 104 mm

TRANSMISSION

Description	FPT 6 speed manual (Standard)	
	ZF 8 speed Hi-Matic automatic (Optional)	
Gear ratios: FPT 6 speed manual	1st: 5.375	4th: 1.365
	2nd: 3.154	5th: 1.000
Gear ratios: ZF 8 speed Hi-Matic automatic	3rd: 2.041	6th: 0.791
	Rev. 4.838	
Clutch (Manual only)	1st: 4.696	5th: 1.285
	2nd: 3.130	6th: 1.000
Clutch (Manual only)	3rd: 2.104	7th: 0.839
	4th: 1.667	8th: 0.667
Clutch (Manual only)	Rev. 3.297	
Clutch (Manual only)	Single dry plate, Diameter: 280mm	

POWER TAKE-OFF

Power Take-off	Optional
----------------	----------

STEERING

Hydraulic Power Steering	Equipped
--------------------------	----------

WHEELS & TYRES

Wheel and tyre type	265/70R19.5 OFF-R Pirelli
---------------------	---------------------------

FUEL & ADBLUE® TANK

Fuel Tank	90L
AdBlue® Tank	24L
Optional	110 L Fuel Tank (No spare wheel mount on side of chassis)

FUEL SAVING FEATURES

EcoSwitch	Equipped (only on Auto)
-----------	-------------------------

EXPANSION MODULE WITH CAN OPEN INTERFACE

- Equipped
- Lights control
- Run lock function
- Alarm function
- Body Builder CAN interface
- Advanced PTO controls

SUSPENSION

Front suspension	Independent Front Suspension
Rear suspension	Parabolic Rear Suspension 3 leaf

FRAME

Type	C-Section, 184 mm (height), 69 mm (width), 5 mm (thickness)
------	---

BRAKING SYSTEM

Type/Control	ESP 9:
	- ABS (Antilock Braking System)
	- ASR (Anti Slip Regulator)
	- EBD (Electronic Brake force Distribution)
	- ESP (Electronic Stability Program)
	- HFC (Hydraulic Fading Compensation)
	- HHC (Hill Hold Control)
	- HRB (Hydraulic Rear Wheel Boost)
	- LAC (Adaptive Load Control)
	- RMI (Roll Movement Intervention)
- ROM (Roll Over Mitigation)	
- TSM (Trailer Sway Mitigation)	
Front: Diameter/Thickness	Ventilated disc/301 x 30 mm
Rear: Diameter/Thickness	Ventilated disc/306 x 28 mm
Parking Brake	Manual brake operating on rear axle

ELECTRICAL & ELECTRONICS

Battery	12 Volt-110 Ah
Alternator	12 Volt-180 A, Battery cut-off switch (in-dash)

SAFETY FEATURES

Cruise control	Equipped
Reverse buzzer	Equipped
Engine fan deactivation system	Equipped
Driver and passenger airbags	Equipped
Daytime running lights (DRL)	Equipped
Halogen headlights	Equipped
Fog lights	Equipped
Engine immobiliser	Equipped
Central locking with remote control & door locking management	Equipped
Steering lock	Equipped

CAB EXTERIOR

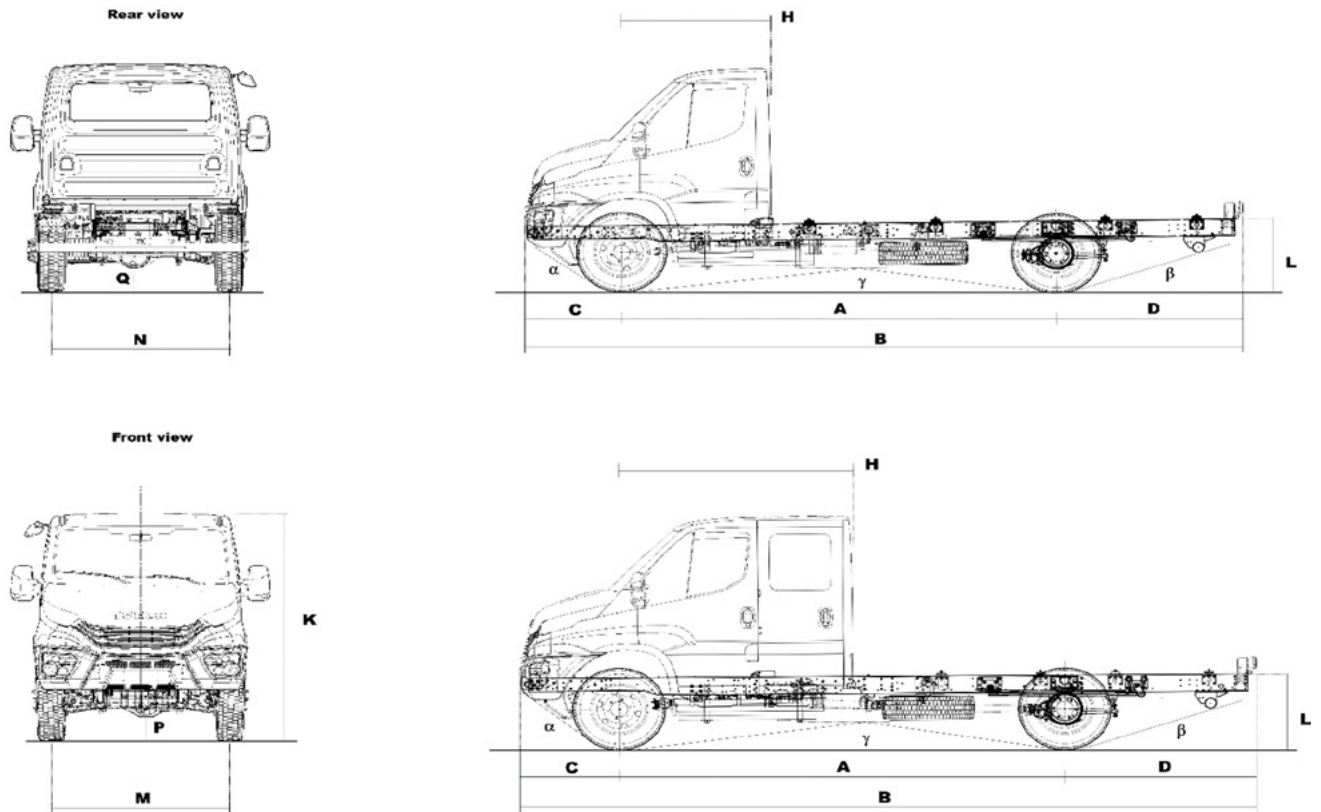
Front grille	Chrome
	Oil sump guard protection

CAB INTERIOR

	Equipped
	- Trip computer
	- Analogue speedometer
	- Analogue tachometer
	- Fuel level indicator
	- Coolant temperature gauge
Instrument cluster	- 3.5" high resolution TFT colour display and silver dial rings
	- TFT Display Panel includes: digital speedometer, oil, battery and service information
	- Navigation and phone multimedia, fuel economy, trip computer, vehicle settings, display settings and diagnostics
	- Engine oil level display
In cab handles LHS and RHS for cab access	Equipped
Upper shelf storage compartment	Equipped
Hi-Connect Multimedia + Navigation	Apple CarPlay®, Android Auto® and DAB+ radio
Differential lock control x 3 (Front, centre and rear)	Equipped
Dash mounted gear lever	Equipped
Fabric interior trim (2 tone)	Equipped
Driver seat*	Heated, suspended & adjustable w/ lumbar adjustment & armrest
	2 person bench seat with 3-point seatbelts and extractable table
Passenger seat*	Optional (for single cab): Heated, suspended and adjustable w/ lumbar adjustment and armrest (standard on dual cab)
*Both seats include new Hi-Adaptive memory foam technology	
Cab rear window	Equipped
Single zone automatic climate control	Equipped
Leather steering wheel	Equipped
Padded headrests	Equipped
Electric windows	Equipped
Steering wheel controls	Equipped
Heated electric adjustable mirrors	Equipped
Underseat storage	Equipped
Beverage holders: 2 x cup, 2 x bottle	Equipped



Overseas Model Shown



DIMENSIONS

	SINGLE CAB			CREW CAB		
	3480mm	3780mm	4175mm	3480mm	3780mm	4175mm
Wheelbase (A)	3480mm	3780mm	4175mm	3480mm	3780mm	4175mm
Overall length (dependant on wheelbase) (B)	5348mm	5853mm	6818mm	5348mm	5853mm	6818mm
Front overhang (C)	928mm	928mm	928mm	928mm	928mm	928mm
Rear overhang (D)	940mm	1145mm	1715mm	940mm	1145mm	1715mm
Front axle to front of body (H)	1430mm	1430mm	1430mm	2181mm	2181mm	2181mm
Overall height (unladen) (K)	2508mm	2506mm	2501mm	2499mm	2496mm	2492mm
Frame height at end of frame - unladen (L)	872mm	872mm	882mm	869mm	870mm	882mm
Front track (M)	1725mm	1725mm	1725mm	1725mm	1725mm	1725mm
Rear track (N)	1713mm	1713mm	1713mm	1713mm	1713mm	1713mm
Front ground clearance (P)	263mm	263mm	263mm	263mm	263mm	263mm
Rear ground clearance (Q)	225mm	225mm	225mm	225mm	225mm	225mm
Approach angle (a)	35°	35°	35°	35°	35°	35°
Departure angle (b)	33°	29°	17°	33°	29°	17°
Ramp angle (y)	157°	158°	155°	157°	158°	155°

DIMENSIONS & WEIGHTS

	SINGLE CAB			CREW CAB		
Wading Depth	640mm	640mm	640mm	640mm	640mm	640mm
Unladen frame height at front axle	780mm	781mm	778mm	768mm	769mm	766mm
Unladen frame height at rear axle	853mm	851mm	852mm	848mm	846mm	848mm
Turning circle: kerb to kerb	14100mm	14900mm	16100mm	14100mm	14900mm	16100mm
Overall width	2056mm	2056mm	2056mm	2057mm	2057mm	2057mm
GVM	7000kg	7000kg	7000kg	7000kg	7000kg	7000kg
GCM	10500kg	10500kg	10500kg	10500kg	10500kg	10500kg
Towing capacity (braked)	3500kg	3500kg	3500kg	3500kg	3500kg	3500kg
Front axle capacity	2700kg	2700kg	2700kg	2700kg	2700kg	2700kg
Rear axle capacity	5000kg	5000kg	5000kg	5000kg	5000kg	5000kg
Kerb mass front axle	1935kg	1898kg	1950kg	2150kg	2125kg	2190kg
Kerb mass rear axle	1033kg	1080kg	1050kg	1183kg	1218kg	1175kg
Kerb mass total	2968kg	2978kg	3000kg	3333kg	3343kg	3365kg
Payload capacity	4032kg	4022kg	4000kg	3667kg	3657kg	3635kg

Weights are standard configuration and include: chassis cab, driver (75kg), full fuel tanks, oils, tools kit and spare wheel (when present).

OPTIONS

5.86 : 1 Rear axle ratio (speed limited to 90km/h)

ZF 8 speed Hi-Matic automatic

110L fuel tank

Transfer box PTO (ISO 4 bolts Pump connection)

Passenger seat: Heated, suspended & adjustable w/ lumbar adjustment & armrest (Single Cab only as standard on Dual Cab)

IVECO TRUCKS AUSTRALIA LIMITED ABN 86 004 065 061 LEVEL 10, 14 MASON STREET, DANDENONG, VICTORIA 3175 PO BOX 117 DANDENONG, VICTORIA 3175 TELEPHONE (03) 9238 2200 WWW.IVECO.COM.AU THE INFORMATION IN THIS DOCUMENT WAS CORRECT AT THE TIME OF PRINTING. THE DATA IN THIS DOCUMENT IS APPROXIMATE. IF AN EXACT WEIGHT OR DIMENSION IS REQUIRED PLEASE CONTACT YOUR LOCAL AUTHORISED IVECO DEALER. ALWAYS CONSULT AN AUTHORISED IVECO DEALER FOR THE LATEST INFORMATION ON THE VEHICLE BEFORE DECIDING TO PLACE AN ORDER. OVERSEAS IMAGES ARE SHOWN THROUGHOUT THIS DOCUMENT AND IMAGES MAY REFER TO EQUIPMENT THAT IS OPTIONAL. THE MODELS DESCRIBED CAN BE SUBJECT TO MODIFICATIONS WITHOUT ANY NOTICE BY THE MANUFACTURER. IVE3132. 10/2023.